

5

4

3

2

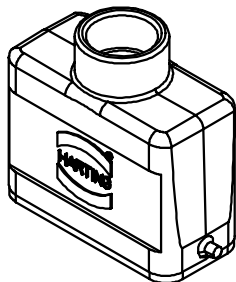
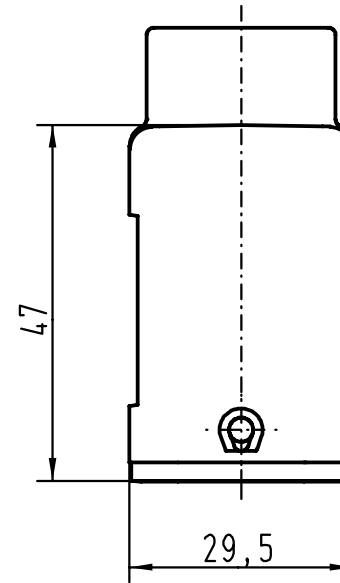
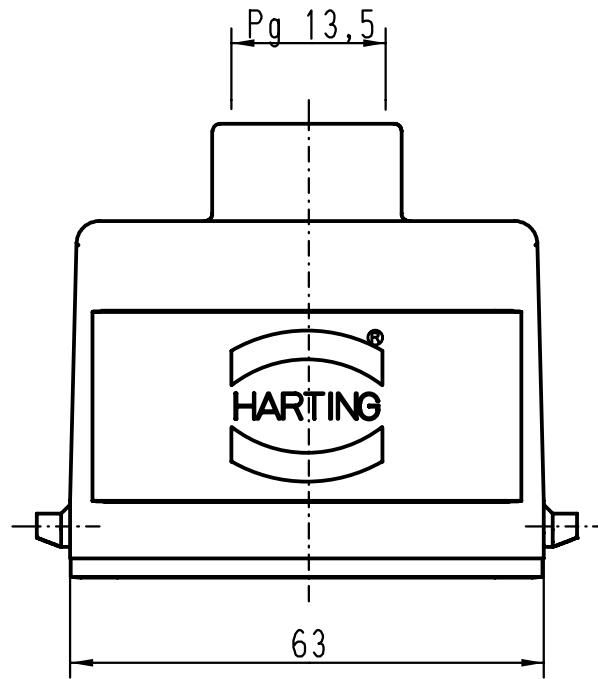
1



D

C

B

A



| | | | | | | | | | | | |
|-----------------------------------------------------------------------------------------------------------------------------------|------|------|-------------------|----------|------|----------------------------------------------|-----------------------------------------------------------------------------|--|---------------------------------------------------------------------------------------|-------------|--|
|  All Dimensions in mm Original Size DIN A 4 | | | Techn. Character. | | | Nicht tolerierte Masse! Free size tolerances | | | | | |
| | | | | Dat. | Name | Massstab/Scale | Han 10A-gg-Pg13,5 Tüllengehäuse gerader Kabelausgang/ hoods top-entry | | | | |
| | | | Detail. | 23.04.99 | PL | | | | | | |
| | | | Insp. | | SDT | | | | | | |
| | | | Stand. | | | 1:1 | TB 09 20 010 1440 Sub. f. TB 09 20 01. 144. v. 17.02.93 | | | | |
| 25853 | | | HARTING KGaA | | | | | |  | Blatt/ page | |
| Mod. | Dat. | Name | D-32339 ESPELKAMP | | | | | | | | |